

6.2 T825 Receiver PCB

This section contains the following information.

IPN	Section	Page
220-01188-01	Parts List	6.2.3
	Mechanical & Miscellaneous Parts	6.2.7
	Grid Reference Index	6.2.9
	PCB Layout - Top Side	6.2.13
	PCB Layout - Bottom Side	6.2.14
	Test Points & Options - Top Side	6.2.15
	Test Points & Options - Bottom Side	6.2.16
	Synthesiser Circuit Diagram	6.2.17
	Audio Processor Circuit Diagram	6.2.18
	Regulator Circuit Diagram	6.2.19
	Receiver Circuit Diagram	6.2.20

T825 Parts List (IPN 220-01188-01)

How To Use This Parts List

The components listed in this parts list are divided into two main types: those with a circuit reference (e.g. C2, D1, R121, etc) and those without (miscellaneous and mechanical).

Those with a circuit reference are grouped in alphabetical order and then in numerical order within each group. Each component entry comprises three or four columns: the circuit reference, variant (if applicable), IPN and description. A number in the variant column indicates that this is a variant component which is fitted only to the product type listed.

The miscellaneous and mechanical section lists the variant and common parts in IPN order.

Parts List Amendments

C143	Added to the audio processor circuitry to de-couple the +9V reg. supply to prevent de-sensing of the receiver by CTCSS (positive to +9V reg., negative to ground) - PCB grid reference 1:D4 (94/03-153).
C336/C337	Deleted - diplexer removed to improve RF sensitivity (93/03-62).
IC302	Changed from NE612N to NE612AN (92/04-243).
IC303	Changed from NE614N to NE614AN (92/04-243).
L311	Deleted - diplexer removed to improve RF sensitivity (93/03-62).
L312	Replaced by wire link when diplexer removed (93/03-62).
R317/R370	Deleted - diplexer removed to improve RF sensitivity (93/03-62).
R334	Changed from NTC 500 ohm to 470 ohm because of IC302/303 change (92/04-243).
&R343	Changed from 4k7 to 8k2 in T825-15 because of IC303 change (94/03-114).
R351	Changed to &R351 because of IC302/303 change - value depends on product type (92/04-243).
R374	Added in the position formerly occupied by C337 when diplexer removed (93/03-62).

Ref	Var	IPN	Description	Ref	Var	IPN	Description
C1		015-24100-08	CAP CER 0805 CHIP 1N 10% X7R 50V	C108		015-24100-08	CAP CER 0805 CHIP 1N 10% X7R 50V
C2		015-06100-08	CAP CER 1206 CHIP 100N 10% X7R 50V	C110		020-09100-03	CAP ELECT RADL 100M 16V 8X11MM
C3		015-23100-01	CAP CER 0805 CHIP 100P 5% NPO 50V	C111		015-24470-08	CAP CER 0805 CHIP 4N7 10% X7R 50V
C4		015-24100-08	CAP CER 0805 CHIP 1N 10% X7R 50V	C112		020-08100-03	CAP ELECT RADL 10UF 50V 5X11MM
C5		015-24100-08	CAP CER 0805 CHIP 1N 10% X7R 50V	C113		015-24100-08	CAP CER 0805 CHIP 1N 10% X7R 50V
C6		015-24100-08	CAP CER 0805 CHIP 1N 10% X7R 50V	C114		015-24100-08	CAP CER 0805 CHIP 1N 10% X7R 50V
C7		015-24100-08	CAP CER 0805 CHIP 1N 10% X7R 50V	C115		015-06100-08	CAP CER 1206 CHIP 100N 10% X7R 50V
C8		015-24100-08	CAP CER 0805 CHIP 1N 10% X7R 50V	C116		015-06100-08	CAP CER 1206 CHIP 100N 10% X7R 50V
C9		015-06100-08	CAP CER 1206 CHIP 100N 10% X7R 50V	C117		020-09100-03	CAP ELECT RADL 100M 16V 8X11MM
C13		020-08100-03	CAP ELECT RADL 10UF 50V 5X11MM	C118		020-09100-03	CAP ELECT RADL 100M 16V 8X11MM
C14		015-06100-08	CAP CER 1206 CHIP 100N 10% X7R 50V	C119		015-24100-08	CAP CER 0805 CHIP 1N 10% X7R 50V
C15		015-22560-01	CAP CER 0805 CHIP 56P 5% NPO 50V	C120		015-24100-08	CAP CER 0805 CHIP 1N 10% X7R 50V
C16		015-24100-08	CAP CER 0805 CHIP 1N 10% X7R 50V	C121		015-06100-08	CAP CER 1206 CHIP 100N 10% X7R 50V
C17		015-23470-08	CAP CER 0805 CHIP 470P 10% X7R 50V	C122		020-09470-05	CAP ELECT RADL 470M 16V 10X12.5MM
C19		015-06100-08	CAP CER 1206 CHIP 100N 10% X7R 50V	C123		015-06100-08	CAP CER 1206 CHIP 100N 10% X7R 50V
C20		025-08100-02	CAP TANT BEAD 10M 10% 16V	C124		020-09100-03	CAP ELECT RADL 100M 16V 8X11MM
C21		015-25100-08	CAP CER 0805 CHIP 10N 10% X7R 50V	C125		020-09220-01	CAP ELECT RADL 220M 16V 10X12.5MM
C22		015-25100-08	CAP CER 0805 CHIP 10N 10% X7R 50V	C126		015-06100-08	CAP CER 1206 CHIP 100N 10% X7R 50V
C23		022-57100-02	CAP MYLAR AI 1M 20% 50V POTTED	C127		020-09220-01	CAP ELECT RADL 220M 16V 10X12.5MM
C24		020-08100-03	CAP ELECT RADL 10UF 50V 5X11MM	C128		015-06100-08	CAP CER 1206 CHIP 100N 10% X7R 50V
C25		015-06100-08	CAP CER 1206 CHIP 100N 10% X7R 50V	C129		015-06100-08	CAP CER 1206 CHIP 100N 10% X7R 50V
C26		025-08100-02	CAP TANT BEAD 10M 10% 16V	C130		015-25100-08	CAP CER 0805 CHIP 10N 10% X7R 50V
C27		025-08100-02	CAP TANT BEAD 10M 10% 16V	C131		015-24100-08	CAP CER 0805 CHIP 1N 10% X7R 50V
C28		015-06100-08	CAP CER 1206 CHIP 100N 10% X7R 50V	C132		015-24470-08	CAP CER 0805 CHIP 4N7 10% X7R 50V
C30		015-06100-08	CAP CER 1206 CHIP 100N 10% X7R 50V	C133		015-05470-08	CAP CER 1206 CHIP 47N 10% X7R 50V
C31		015-06100-08	CAP CER 1206 CHIP 100N 10% X7R 50V	C134		020-07470-91	CAP ELECT RADL 4M7 63V 6X11MM BI-POLAR
C32		015-06100-08	CAP CER 1206 CHIP 100N 10% X7R 50V	C135		020-07470-91	CAP ELECT RADL 4M7 63V 6X11MM BI-POLAR
C33		015-24100-08	CAP CER 0805 CHIP 1N 10% X7R 50V	C136		015-24100-08	CAP CER 0805 CHIP 1N 10% X7R 50V
C34		015-21820-01	CAP CER 0805 CHIP 8P2 +/-0.25P NPO 50V	C137		015-24100-08	CAP CER 0805 CHIP 1N 10% X7R 50V
C35		015-06100-08	CAP CER 1206 CHIP 100N 10% X7R 50V	C138		015-06100-08	CAP CER 1206 CHIP 100N 10% X7R 50V
C36		025-08100-02	CAP TANT BEAD 10M 10% 16V	C139		015-06100-08	CAP CER 1206 CHIP 100N 10% X7R 50V
C37		015-24100-08	CAP CER 0805 CHIP 1N 10% X7R 50V	C140		015-06100-08	CAP CER 1206 CHIP 100N 10% X7R 50V
C38		015-25100-08	CAP CER 0805 CHIP 10N 10% X7R 50V	C141		020-08100-04	CAP ELECT RADL 10UF 16V 4X7MM
C39		015-24100-08	CAP CER 0805 CHIP 1N 10% X7R 50V	C142		015-05470-08	CAP CER 1206 CHIP 47N 10% X7R 50V
C40		015-06100-08	CAP CER 1206 CHIP 100N 10% X7R 50V	C143		020-08100-03	CAP ELECT RADL 10UF 50V 5X11MM
C100		020-07100-02	CAP ELECT RADL 1M 50V 5X11MM	C200		015-06100-08	CAP CER 1206 CHIP 100N 10% X7R 50V
C101		015-24470-08	CAP CER 0805 CHIP 4N7 10% X7R 50V	C201		020-08100-03	CAP ELECT RADL 10UF 50V 5X11MM
C102		020-08470-02	CAP ELECT RADL 47M 16V 6X11MM	C202		015-06100-08	CAP CER 1206 CHIP 100N 10% X7R 50V
C103		015-05470-08	CAP CER 1206 CHIP 47N 10% X7R 50V	C203		015-24100-08	CAP CER 0805 CHIP 1N 10% X7R 50V
C104		015-21220-01	CAP CER 0805 CHIP 2P2 +/-0.25P NPO 50V	C204		020-09470-07	CAP 470M 16V 20% ELEC VERT 8*20 3.5MM L
C105		015-06100-08	CAP CER 1206 CHIP 100N 10% X7R 50V	C205		015-24470-08	CAP CER 0805 CHIP 4N7 10% X7R 50V
C106		015-22470-01	CAP CER 0805 CHIP 47P 5% NPO 50V	C206		015-24100-08	CAP CER 0805 CHIP 1N 10% X7R 50V
C107		015-24470-08	CAP CER 0805 CHIP 4N7 10% X7R 50V	C207		020-08100-03	CAP ELECT RADL 10UF 50V 5X11MM

Ref	Var	IPN	Description	Ref	Var	IPN	Description
C210		015-06100-08	CAP CER 1206 CHIP 100N 10% X7R 50V	C382		015-05470-08	CAP CER 1206 CHIP 47N 10% X7R 50V
C211		025-08100-02	CAP TANT BEAD 10M 10% 16V	C383		015-05470-08	CAP CER 1206 CHIP 47N 10% X7R 50V
C212		025-07300-01	CAP TANT BEAD 3M3 35V	C384		015-23120-01	CAP CER 0805 CHIP 120P 5% NPO 50V
C213		015-24470-08	CAP CER 0805 CHIP 4N7 10% X7R 50V	C385		015-23120-01	CAP CER 0805 CHIP 120P 5% NPO 50V
C214		020-07100-02	CAP ELECT RADL 1M 50V 5X11MM	C386		015-05470-08	CAP CER 1206 CHIP 47N 10% X7R 50V
C215		020-08100-03	CAP ELECT RADL 10UF 50V 5X11MM	C387		015-05470-08	CAP CER 1206 CHIP 47N 10% X7R 50V
C216		015-06100-08	CAP CER 1206 CHIP 100N 10% X7R 50V	C388		015-05470-08	CAP CER 1206 CHIP 47N 10% X7R 50V
C217		015-23120-01	CAP CER 0805 CHIP 120P 5% NPO 50V	D1		001-10000-70	(S) DIODE SMD BAV70 DUAL SWITCH SOT-23 CO
C218		015-23120-01	CAP CER 0805 CHIP 120P 5% NPO 50V	D2		001-10000-70	(S) DIODE SMD BAV70 DUAL SWITCH SOT-23 CO
C219		015-06100-08	CAP CER 1206 CHIP 100N 10% X7R 50V	D100		001-10000-99	(S) DIODE SMD BAV99 DUAL SWITCH SINGLE IN
C220		015-23120-01	CAP CER 0805 CHIP 120P 5% NPO 50V	D101		001-10000-56	(S) DIODE SMD BAW56 DUAL SWITCH SOT-23
C221		015-06100-08	CAP CER 1206 CHIP 100N 10% X7R 50V	D102		008-00013-32	(S) LED 3MM RED LO CURRENT NO MTG
C222		015-06100-08	CAP CER 1206 CHIP 100N 10% X7R 50V	D103		001-10000-70	(S) DIODE SMD BAV70 DUAL SWITCH SOT-23
C301		015-22270-01	CAP CER 0805 CHIP 27P 5% NPO 50V	D104		001-10000-70	(S) DIODE SMD BAV70 DUAL SWITCH SOT-23
C302		015-22560-01	CAP CER 0805 CHIP 56P 5% NPO 50V	D105		008-00013-35	(S) LED 3MM GREEN LO CURRENT NO MTG
C303		015-22560-01	CAP CER 0805 CHIP 56P 5% NPO 50V	D106		001-00011-70	(S) DIODE 1N4001 1A/50V
C304		015-22270-01	CAP CER 0805 CHIP 27P 5% NPO 50V	D107		001-00011-70	(S) DIODE 1N4001 1A/50V
C305		015-23120-01	CAP CER 0805 CHIP 120P 5% NPO 50V	D108		001-00011-70	(S) DIODE 1N4001 1A/50V
C306		015-22220-01	CAP CER 0805 CHIP 22P 5% NPO 50V	D200		001-10000-99	(S) DIODE SMD BAV99 DUAL SWITCH SINGLE IN
C307		015-22390-01	CAP CER 0805 CHIP 39P 5% NPO 50V	D201		001-00011-60	(S) DIODE SR2607 6A/30V
C308		015-22330-01	CAP CER 0805 CHIP 33P 5% NPO 50V	D203		001-10000-70	(S) DIODE SMD BAV70 DUAL SWITCH SOT-23
C309		015-23120-01	CAP CER 0805 CHIP 120P 5% NPO 50V	D301		001-10000-56	(S) DIODE SMD BAW56 DUAL SWITCH SOT-23
C310		015-22820-01	CAP CER 0805 CHIP 82P 5% NPO 50V	IC1		002-00017-51	(S) IC SP8793 DUAL MOD PRESC 40/41
C311		015-22180-01	CAP CER 0805 CHIP 18P 5% NPO 50V	IC2		539-00010-41	TCXO 12.8MHZ +/-2.5PPM -30 TO +70C NDK NS
C312		015-22220-01	CAP CER 0805 CHIP 22P 5% NPO 50V	IC3		002-00017-63	(S) IC NJ8820DP FREQ SYNTHESIZER
C313		015-22390-01	CAP CER 0805 CHIP 39P 5% NPO 50V	IC4		002-00012-47	(S) IC MC33078 DUAL OP AMP LO NOISE
C314		015-23120-01	CAP CER 0805 CHIP 120P 5% NPO 50V	IC5		002-74000-04	(S) IC 74HC04 UNBUFF HEX INVERTER
C315		015-22330-01	CAP CER 0805 CHIP 33P 5% NPO 50V	IC6		002-74000-74	(S) IC 74HC74 DUAL D F/F
C316		015-23120-01	CAP CER 0805 CHIP 120P 5% NPO 50V	IC100		002-00012-40	(S) IC 358 DUAL OP AMP
C317		015-22820-01	CAP CER 0805 CHIP 82P 5% NPO 50V	IC101		002-00012-40	(S) IC 358 DUAL OP AMP
C318		015-24100-08	CAP CER 0805 CHIP 1N 10% X7R 50V	IC102		002-00014-05	(S) IC TDA7231 1.6W AF PWR
C319		015-05470-08	CAP CER 1206 CHIP 47N 10% X7R 50V	IC103		002-00014-05	(S) IC TDA7231 1.6W AF PWR
C320		015-25100-08	CAP CER 0805 CHIP 10N 10% X7R 50V	IC104		002-00012-40	(S) IC 358 DUAL OP AMP
C321		015-24470-08	CAP CER 0805 CHIP 4N7 10% X7R 50V	IC201		002-00012-40	(S) IC 358 DUAL OP AMP
C322		015-24470-08	CAP CER 0805 CHIP 4N7 10% X7R 50V	IC202		002-00014-62	(S) IC 317L 100MA REG 3 TERMINAL TO-92
C323		015-24470-08	CAP CER 0805 CHIP 4N7 10% X7R 50V	IC301		002-00022-01	(S) MIXER DOUBLE BLNCD TAK-1WH MIXER 2
C324		015-23120-01	CAP CER 0805 CHIP 120P 5% NPO 50V	IC302		002-00061-20	(S) IC NE612AN DBM & OSCILLATOR
C325		015-22390-01	CAP CER 0805 CHIP 39P 5% NPO 50V	IC303		002-00061-40	(S) IC NE614AN LO PWR FM IF SYSTEM DIP
C326		015-22220-01	CAP CER 0805 CHIP 22P 5% NPO 50V	IC304		002-00012-25	(S) IC TL084 QUAD OP AMP JFET I/P
C327		015-22330-01	CAP CER 0805 CHIP 33P 5% NPO 50V	L1		056-00021-60	IND FXD 330NH 6.6X2.7MM AXIAL NON MAGNETI
C328		015-23120-01	CAP CER 0805 CHIP 120P 5% NPO 50V	L100		056-00021-02	IND FXD 100UH AXIAL
C329		015-22180-01	CAP CER 0805 CHIP 18P 5% NPO 50V	L301		052-08150-55	COIL A/W 5.5T/5.0MM HOR 0.8MM WIRE
C330		015-22820-01	CAP CER 0805 CHIP 82P 5% NPO 50V	L302		052-08155-55	COIL A/W 5.5T/5.5MM HOR 0.8MM WIRE
C331		015-23120-01	CAP CER 0805 CHIP 120P 5% NPO 50V	L303		052-08150-55	COIL A/W 5.5T/5.0MM HOR 0.8MM WIRE
C332		015-22390-01	CAP CER 0805 CHIP 39P 5% NPO 50V	L304		050-00016-54	COIL TAIT NO 654 10MM CAN T720
C333		015-22220-01	CAP CER 0805 CHIP 22P 5% NPO 50V	L305		050-00016-54	COIL TAIT NO 654 10MM CAN T720
C334		015-22330-01	CAP CER 0805 CHIP 33P 5% NPO 50V	L306		056-00021-08	IND FXD 270NH AXIAL 3X7MM
C335		015-23120-01	CAP CER 0805 CHIP 120P 5% NPO 50V	L307		056-00021-01	IND FXD 1.5UH AXIAL
C338		015-25100-08	CAP CER 0805 CHIP 10N 10% X7R 50V	L308		056-00021-01	IND FXD 1.5UH AXIAL
C339		015-25100-08	CAP CER 0805 CHIP 10N 10% X7R 50V	L309		050-00016-54	COIL TAIT NO 654 10MM CAN T720
C340		020-08100-04	CAP ELECT RADL 10UF 16V 4X7MM	L310		050-00016-54	COIL TAIT NO 654 10MM CAN T720
C341		015-25100-08	CAP CER 0805 CHIP 10N 10% X7R 50V	L313		056-00021-07	IND FXD 33UH AXIAL
C343		015-23150-01	CAP CER 0805 CHIP 150P 5% NPO 50V	L314		050-00016-58	COIL TAIT 658 2MH IF 7.5*7.5 12.5 HI
&C344 10		015-22330-01	CAP CER 0805 CHIP 33P 5% NPO 50V	L315		050-00016-52	COIL TAIT NO 652 4UH 7MM BASE WITH CAN
&C344 15		015-22470-01	CAP CER 0805 CHIP 47P 5% NPO 50V	L316		050-00016-52	COIL TAIT NO 652 4UH 7MM BASE WITH CAN
&C345 10		015-22270-01	CAP CER 0805 CHIP 27P 5% NPO 50V	L317		050-00016-52	COIL TAIT NO 652 4UH 7MM BASE WITH CAN
&C345 15		015-22100-01	CAP CER 0805 CHIP 10P +/-0.5P NPO 50	L318		050-00016-52	COIL TAIT NO 652 4UH 7MM BASE WITH CAN
&C346 10		015-22100-01	CAP CER 0805 CHIP 10P +/-0.5P NPO 50	L319		050-00016-55	COIL TAIT NO 655 455KHZ QUAD COIL 7MM C
&C346 15		015-22100-01	CAP CER 0805 CHIP 10P +/-0.5P NPO 50	PL5		240-00020-57	HEADER 10 WAY 1 ROW PCB MTG
&C347 10		015-22330-01	CAP CER 0805 CHIP 33P 5% NPO 50V	PL100		240-00020-59	HEADER 3 WAY 1 ROW PCB MTG
&C347 15		015-22470-01	CAP CER 0805 CHIP 47P 5% NPO 50V	PL101		240-00020-59	HEADER 3 WAY 1 ROW PCB MTG
C348		015-25100-08	CAP CER 0805 CHIP 10N 10% X7R 50V	PL102		240-00020-59	HEADER 3 WAY 1 ROW PCB MTG
C349		020-08100-04	CAP ELECT RADL 10UF 16V 4X7MM	PL103		240-00020-59	HEADER 3 WAY 1 ROW PCB MTG
C350		015-25100-08	CAP CER 0805 CHIP 10N 10% X7R 50V	PL104		240-00020-59	HEADER 3 WAY 1 ROW PCB MTG
C351		015-25100-08	CAP CER 0805 CHIP 10N 10% X7R 50V	PL105		240-00020-58	HEADER 5 WAY 1 ROW PCB MTG
C352		015-25100-08	CAP CER 0805 CHIP 10N 10% X7R 50V	PL106		240-00020-59	HEADER 3 WAY 1 ROW PCB MTG
&C353 10		015-22330-01	CAP CER 0805 CHIP 33P 5% NPO 50V	Q1		000-10057-10	(S) XSTR SMD MMBR571 NPN SOT-23 UHF LO PW
&C353 15		015-22470-01	CAP CER 0805 CHIP 47P 5% NPO 50V	Q3		000-10008-48	(S) XSTR SMD BCW60/BC848B215 NPN SOT23 AF
&C354 10		015-22270-01	CAP CER 0805 CHIP 27P 5% NPO 50V	Q4		000-10008-48	(S) XSTR SMD BCW60/BC848B215 NPN SOT23 AF
&C354 15		015-22150-01	CAP CER 0805 CHIP 15P 5% NPO 50V	Q100		000-10008-48	(S) XSTR SMD BCW60/BC848B215 NPN SOT23
C355		015-22470-01	CAP CER 0805 CHIP 47P 5% NPO 50V	Q101		000-10008-57	(S) XSTR SMD BCW70 PNP SOT23 AF SML SIG
&C356 10		015-22100-01	CAP CER 0805 CHIP 10P +/-0.5P NPO 50	Q102		000-10008-57	(S) XSTR SMD BCW70 PNP SOT23 AF SML SIG
&C356 15		015-22180-01	CAP CER 0805 CHIP 18P 5% NPO 50V	Q103		000-10008-57	(S) XSTR SMD BCW70 PNP SOT23 AF SML SIG
C357		015-25100-08	CAP CER 0805 CHIP 10N 10% X7R 50V	Q104		000-10008-17	(S) XSTR SMD BC817-25 NPN SOT-23 AF LO
C358		025-08100-02	CAP TANT BEAD 10M 10% 16V	Q105		000-10008-48	(S) XSTR SMD BCW60/BC848B215 NPN SOT23
C359		015-25100-08	CAP CER 0805 CHIP 10N 10% X7R 50V	Q106		000-10008-48	(S) XSTR SMD BCW60/BC848B215 NPN SOT23
C360		015-25100-08	CAP CER 0805 CHIP 10N 10% X7R 50V	Q107		000-10008-48	(S) XSTR SMD BCW60/BC848B215 NPN SOT23
C361		015-22470-01	CAP CER 0805 CHIP 47P 5% NPO 50V	Q108		000-10008-48	(S) XSTR SMD BCW60/BC848B215 NPN SOT23
C362		015-22680-01	CAP CER 0805 CHIP 68P 5% NPO 50V	Q109		000-10008-48	(S) XSTR SMD BCW60/BC848B215 NPN SOT23
C363		015-06100-08	CAP CER 1206 CHIP 100N 10% X7R 50V	Q200		000-00011-30	(S) XSTR BC557B PNP AF SML SIG TO92
C364		015-06100-08	CAP CER 1206 CHIP 100N 10% X7R 50V	Q201		000-00012-15	(S) XSTR BD234 PNP AF PWR TO126
C365		015-05470-08	CAP CER 1206 CHIP 47N 10% X7R 50V	Q202		000-10008-17	(S) XSTR SMD BC817-25 NPN SOT-23 AF LO
C366		015-23150-01	CAP CER 0805 CHIP 150P 5% NPO 50V	Q203		000-10008-57	(S) XSTR SMD BCW70 PNP SOT23 AF SML SIG
C367		015-06100-08	CAP CER 1206 CHIP 100N 10% X7R 50V	Q301		000-10008-57	(S) XSTR SMD BCW70 PNP SOT23 AF SML SIG
C368		015-06100-08	CAP CER 1206 CHIP 100N 10% X7R 50V	Q302		000-10095-10	(S) XSTR SMD MMBR951 NPN UHF SOT-23
C369		015-22150-01	CAP CER 0805 CHIP 15P 5% NPO 50V	Q303		000-00020-19	(S) XSTR BF247B J-FET N-CHANNEL TO-92
C370		015-05470-08	CAP CER 1206 CHIP 47N 10% X7R 50V	Q304		000-10095-10	(S) XSTR SMD MMBR951 NPN UHF SOT-23
C371		015-25100-08	CAP CER 0805 CHIP 10N 10% X7R 50V	Q305		000-10095-10	(S) XSTR SMD MMBR951 NPN UHF SOT-23
C372		015-23100-01	CAP CER 0805 CHIP 100P 5% NPO 50V	Q306		000-10008-48	(S) XSTR SMD BCW60/BC848B215 NPN SOT23
C373		025-08100-02	CAP TANT BEAD 10M 10% 16V	Q307		000-10008-48	(S) XSTR SMD BCW60/BC848B215 NPN SOT23
C374		025-08100-02	CAP TANT BEAD 10M 10% 16V	R1		036-12100-00	RES M/F 0805 CHIP 10E 5%
C375		025-08100-02	CAP TANT BEAD 10M 10% 16V	R2		036-17100-00	RES M/F 0805 CHIP 1M 5%
C376		015-23100-01	CAP CER 0805 CHIP 100P 5% NPO 50V				
C377		015-25100-08	CAP CER 0805 CHIP 10N 10% X7R 50V				
C378		015-23100-01	CAP CER 0805 CHIP 100P 5% NPO 50V				
C379		015-23100-01	CAP CER 0805 CHIP 100P 5% NPO 50V				
C380		015-25100-08	CAP CER 0805 CHIP 10N 10% X7R 50V				
C381		025-08100-02	CAP TANT BEAD 10M 10% 16V				

Ref	Var	IPN	Description	Ref	Var	IPN	Description
R3		036-14100-00	RES M/F 0805 CHIP 1K 5%	R153		036-15100-00	RES M/F 0805 CHIP 10K 5%
R4		036-17100-00	RES M/F 0805 CHIP 1M 5%	R154		036-13100-00	RES M/F 0805 CHIP 100E 5%
R5		036-14330-00	RES M/F 0805 CHIP 3K3 5%	R155		036-15120-00	RES M/F 0805 CHIP 12K 5%
R6		036-12680-00	RES M/F 0805 CHIP 68E 5%	R156		036-14560-00	RES M/F 0805 CHIP 5K6 5%
R7		036-13220-00	RES M/F 0805 CHIP 220E 5%	R157		036-16220-00	RES M/F 0805 CHIP 220K 5%
R8		036-17100-00	RES M/F 0805 CHIP 1M 5%	R158		036-14470-00	RES M/F 0805 CHIP 4K7 5%
R10		036-17100-00	RES M/F 0805 CHIP 1M 5%	R159		036-14470-00	RES M/F 0805 CHIP 4K7 5%
R11		036-13100-00	RES M/F 0805 CHIP 100E 5%	R160		036-14680-00	RES M/F 0805 CHIP 6K8 5%
R12		036-17100-00	RES M/F 0805 CHIP 1M 5%	R161		036-16100-00	RES M/F 0805 CHIP 100K 5%
R13		036-17100-00	RES M/F 0805 CHIP 1M 5%	R162		036-15470-00	RES M/F 0805 CHIP 47K 5%
R14		036-12100-00	RES M/F 0805 CHIP 10E 5%	R163		036-15150-00	RES M/F 0805 CHIP 15K 5%
R15		036-17100-00	RES M/F 0805 CHIP 1M 5%	R164		036-14390-00	RES M/F 0805 CHIP 3K9 5%
R16		036-12220-00	RES M/F 0805 CHIP 22E 5%	R165		036-13470-00	RES M/F 0805 CHIP 470E 5%
R20		036-12220-00	RES M/F 0805 CHIP 22E 5%	R200		036-12330-00	RES M/F 0805 CHIP 33E 5%
R21		036-15330-00	RES M/F 0805 CHIP 33K 5%	R201		036-14470-00	RES M/F 0805 CHIP 4K7 5%
R22		036-15100-00	RES M/F 0805 CHIP 10K 5%	R203		036-14100-00	RES M/F 0805 CHIP 1K 5%
R23		036-16390-00	RES M/F 0805 CHIP 390K 5%	R204		032-33270-00	RES M/F PWR 270E 5% 1W 12X4.5MM
R24		036-13390-00	RES M/F 0805 CHIP 390E 5%	R205		032-31100-00	RES M/F PWR 1E0 5% 1W 12X4.5MM
R25		036-14100-00	RES M/F 0805 CHIP 1K 5%	R206		036-14680-00	RES M/F 0805 CHIP 6K8 5%
R26		036-17100-00	RES M/F 0805 CHIP 1M 5%	R207		036-15100-00	RES M/F 0805 CHIP 10K 5%
R27		036-17100-00	RES M/F 0805 CHIP 1M 5%	R208		032-31100-00	RES M/F PWR 1E0 5% 1W 12X4.5MM
R28		036-15100-00	RES M/F 0805 CHIP 10K 5%	R209		036-13100-00	RES M/F 0805 CHIP 100E 5%
R29		036-16100-00	RES M/F 0805 CHIP 100K 5%	R210		036-12330-00	RES M/F 0805 CHIP 33E 5%
R30		036-15100-00	RES M/F 0805 CHIP 10K 5%	R212		036-12100-00	RES M/F 0805 CHIP 10E 5%
R31		036-15100-00	RES M/F 0805 CHIP 10K 5%	R213		036-15150-00	RES M/F 0805 CHIP 15K 5%
R32		036-16470-00	RES M/F 0805 CHIP 470K 5%	R214		036-16100-00	RES M/F 0805 CHIP 100K 5%
R33		036-16470-00	RES M/F 0805 CHIP 470K 5%	R215		036-15560-00	RES M/F 0805 CHIP 56K 5%
R34		036-14220-00	RES M/F 0805 CHIP 2K2 5%	R216		036-14150-00	RES M/F 0805 CHIP 1K5 5%
R35		036-12220-00	RES M/F 0805 CHIP 22E 5%	R217		036-13470-00	RES M/F 0805 CHIP 470E 5%
R36		036-14220-00	RES M/F 0805 CHIP 2K2 5%	RV301		042-04220-06	RES PRESET 2K2 CARBON 6MM FLAT
R37		036-14100-00	RES M/F 0805 CHIP 1K 5%	R301		036-14390-00	RES M/F 0805 CHIP 3K9 5%
R38		036-15150-00	RES M/F 0805 CHIP 15K 5%	R302		036-14100-00	RES M/F 0805 CHIP 1K 5%
R39		036-16100-00	RES M/F 0805 CHIP 100K 5%	RV303		042-05470-06	RES PRESET 47K CARBON 6MM FLAT TOP ADJ
R40		036-12220-00	RES M/F 0805 CHIP 22E 5%	R303		036-14220-00	RES M/F 0805 CHIP 2K2 5%
R41		036-12100-00	RES M/F 0805 CHIP 10E 5%	R304		036-13330-00	RES M/F 0805 CHIP 330E 5%
R42		036-12100-00	RES M/F 0805 CHIP 10E 5%	R305		036-12100-00	RES M/F 0805 CHIP 10E 5%
R43		036-12220-00	RES M/F 0805 CHIP 22E 5%	R305A		036-12390-00	RES M/F 0805 CHIP 39E 5%
R44		036-14470-00	RES M/F 0805 CHIP 4K7 5%	R306		036-13270-00	RES M/F 0805 CHIP 270E 5%
R45		036-12220-00	RES M/F 0805 CHIP 22E 5%	R307		036-12390-00	RES M/F 0805 CHIP 39E 5%
RV100		040-05100-21	POT 10K LIN VERT PCB MTG 15MM SLOT SHA	R308		036-17100-00	RES M/F 0805 CHIP 1M 5%
R100		036-15270-00	RES M/F 0805 CHIP 27K 5%	R309		036-10000-00	RES M/F 0805 CHIP ZERO OHM
RV101		042-05100-06	RES PRESET 10K CARBON 6MM FLAT	R310		036-17100-00	RES M/F 0805 CHIP 1M 5%
R101		036-13330-00	RES M/F 0805 CHIP 330E 5%	R311		036-17100-00	RES M/F 0805 CHIP 1M 5%
RV102		040-05100-23	POT 10K LOG VERT PCB MTG 15MM SLOT SHA	R312		036-10000-00	RES M/F 0805 CHIP ZERO OHM
R102		036-14220-00	RES M/F 0805 CHIP 2K2 5%	R313		036-17100-00	RES M/F 0805 CHIP 1M 5%
RV103		040-05100-22	POT 10K LOG DUAL PCB MTG 6MM OD SHAFT	R314		036-13150-00	RES M/F 0805 CHIP 150E 5%
R103		036-15220-00	RES M/F 0805 CHIP 22K 5%	R315		036-12390-00	RES M/F 0805 CHIP 39E 5%
RV104		042-05100-06	RES PRESET 10K CARBON 6MM FLAT	R316		036-13150-00	RES M/F 0805 CHIP 150E 5%
R104		036-15100-00	RES M/F 0805 CHIP 10K 5%	R318		036-13100-00	RES M/F 0805 CHIP 100E 5%
R105		036-16220-00	RES M/F 0805 CHIP 220K 5%	R319		036-12100-00	RES M/F 0805 CHIP 10E 5%
R106		036-16330-00	RES M/F 0805 CHIP 330K 5%	R320		036-13330-00	RES M/F 0805 CHIP 330E 5%
#R107	10	036-15220-00	RES M/F 0805 CHIP 22K 5%	R321		036-14100-00	RES M/F 0805 CHIP 1K 5%
#R107	15	036-15180-00	RES M/F 0805 CHIP 18K 5%	R322		036-14330-00	RES M/F 0805 CHIP 3K3 5%
R108		036-14820-00	RES M/F 0805 CHIP 8K2 5%	R323		036-14100-00	RES M/F 0805 CHIP 1K 5%
R109		036-15150-00	RES M/F 0805 CHIP 15K 5%	R324		036-11470-00	RES M/F 0805 CHIP 4E7 10%
R110		036-16100-00	RES M/F 0805 CHIP 100K 5%	R325		036-13100-00	RES M/F 0805 CHIP 100E 5%
R111		036-14470-00	RES M/F 0805 CHIP 4K7 5%	R326		036-12560-00	RES M/F 0805 CHIP 56E 5%
R112		036-15390-00	RES M/F 0805 CHIP 39K 5%	R327		036-12390-00	RES M/F 0805 CHIP 39E 5%
R113		036-16100-00	RES M/F 0805 CHIP 100K 5%	R328		036-13470-00	RES M/F 0805 CHIP 470E 5%
R114		036-14470-00	RES M/F 0805 CHIP 4K7 5%	R329		036-14120-00	RES M/F 0805 CHIP 1K2 5%
R115		036-14270-00	RES M/F 0805 CHIP 2K7 5%	R330		036-13680-00	RES M/F 0805 CHIP 680E 5%
R116		036-13100-00	RES M/F 0805 CHIP 100E 5%	R331		036-14120-00	RES M/F 0805 CHIP 1K2 5%
R117		036-15470-00	RES M/F 0805 CHIP 47K 5%	R332		036-15820-00	RES M/F 0805 CHIP 82K 5%
R119		036-15100-00	RES M/F 0805 CHIP 10K 5%	R333		036-15470-00	RES M/F 0805 CHIP 47K 5%
R120		036-14390-00	RES M/F 0805 CHIP 3K9 5%	R334		030-53470-20	RES FILM AI 470E 5% 0.4W 4X1.6MM
R121		036-14100-00	RES M/F 0805 CHIP 1K 5%	R335		036-15470-00	RES M/F 0805 CHIP 47K 5%
#R122	10	036-14680-00	RES M/F 0805 CHIP 6K8 5%	R336		036-15470-00	RES M/F 0805 CHIP 47K 5%
#R122	15	036-14390-00	RES M/F 0805 CHIP 3K9 5%	R338		036-16100-00	RES M/F 0805 CHIP 100K 5%
R123		036-14680-00	RES M/F 0805 CHIP 6K8 5%	R339		036-17100-00	RES M/F 0805 CHIP 1M 5%
R124		036-14680-00	RES M/F 0805 CHIP 6K8 5%	R340		036-15220-00	RES M/F 0805 CHIP 22K 5%
R125		036-14100-00	RES M/F 0805 CHIP 1K 5%	R341		036-15100-00	RES M/F 0805 CHIP 10K 5%
R126		036-15470-00	RES M/F 0805 CHIP 47K 5%	R342		036-14100-00	RES M/F 0805 CHIP 1K 5%
R127		036-16100-00	RES M/F 0805 CHIP 100K 5%	&R343	10	036-15100-00	RES M/F 0805 CHIP 10K 5%
R128		036-13560-00	RES M/F 0805 CHIP 560E 5%	&R343	15	036-14820-00	RES M/F 0805 CHIP 8K2 5%
R129		036-14100-00	RES M/F 0805 CHIP 1K 5%	R344		036-15100-00	RES M/F 0805 CHIP 10K 5%
R130		036-14220-00	RES M/F 0805 CHIP 2K2 5%	R345		045-03500-01	RES NTC 500E 5MM DISC UNCOATED
R131		036-14470-00	RES M/F 0805 CHIP 4K7 5%	R346		036-13220-00	RES M/F 0805 CHIP 220E 5%
R132		036-14680-00	RES M/F 0805 CHIP 6K8 5%	R347		036-15100-00	RES M/F 0805 CHIP 10K 5%
R133		036-14120-00	RES M/F 0805 CHIP 1K2 5%	R348		036-14150-00	RES M/F 0805 CHIP 1K5 5%
R134		036-15390-00	RES M/F 0805 CHIP 39K 5%	R349		036-17100-00	RES M/F 0805 CHIP 1M 5%
R135		036-14820-00	RES M/F 0805 CHIP 8K2 5%	R350		036-16330-00	RES M/F 0805 CHIP 330K 5%
R136		036-15470-00	RES M/F 0805 CHIP 47K 5%	&R351	10	036-12100-00	RES M/F 0805 CHIP 10E 5%
R137		036-15470-00	RES M/F 0805 CHIP 47K 5%	&R351	15	036-14220-00	RES M/F 0805 CHIP 2K2 5%
R138		036-14470-00	RES M/F 0805 CHIP 4K7 5%	R352		036-14330-00	RES M/F 0805 CHIP 3K3 5%
R139		036-14470-00	RES M/F 0805 CHIP 4K7 5%	R353		036-14100-00	RES M/F 0805 CHIP 1K 5%
R140		036-14820-00	RES M/F 0805 CHIP 8K2 5%	R354		036-15150-00	RES M/F 0805 CHIP 15K 5%
R141		036-15470-00	RES M/F 0805 CHIP 47K 5%	R355		036-14330-00	RES M/F 0805 CHIP 3K3 5%
R142		036-15470-00	RES M/F 0805 CHIP 47K 5%	R356		036-16100-00	RES M/F 0805 CHIP 100K 5%
R143		036-15470-00	RES M/F 0805 CHIP 47K 5%	R357		036-15220-00	RES M/F 0805 CHIP 22K 5%
R144		036-11470-00	RES M/F 0805 CHIP 4E7 10%	R358		036-13100-00	RES M/F 0805 CHIP 100E 5%
R145		036-11470-00	RES M/F 0805 CHIP 4E7 10%	R359		036-14270-00	RES M/F 0805 CHIP 2K7 5%
R146		036-14100-00	RES M/F 0805 CHIP 1K 5%	R360		036-14100-00	RES M/F 0805 CHIP 1K 5%
R147		036-13150-00	RES M/F 0805 CHIP 150E 5%	R361		036-15100-00	RES M/F 0805 CHIP 10K 5%
R148		036-14100-00	RES M/F 0805 CHIP 1K 5%	R362		036-15470-00	RES M/F 0805 CHIP 47K 5%
R149		036-13100-00	RES M/F 0805 CHIP 100E 5%	R363		036-15470-00	RES M/F 0805 CHIP 47K 5%
R150		036-14100-00	RES M/F 0805 CHIP 1K 5%	R364		036-15100-00	RES M/F 0805 CHIP 10K 5%
R151		036-14470-00	RES M/F 0805 CHIP 4K7 5%	R365		036-12120-00	RES M/F 0805 CHIP 12E 5%
R152		036-14470-00	RES M/F 0805 CHIP 4K7 5%	R366		036-12470-00	RES M/F 0805 CHIP 47E 5%

Ref	Var	IPN	Description	Ref	Var	IPN	Description
R367		045-05470-01	RES NTC 47K 5% 5MM DISC				
&R368	10	036-14470-00	RES M/F 0805 CHIP 4K7 5%				
&R368	15	036-15150-00	RES M/F 0805 CHIP 15K 5%				
R369		036-12560-00	RES M/F 0805 CHIP 56E 5%				
R373		036-12560-00	RES M/F 0805 CHIP 56E 5%				
R374		036-10000-00	RES M/F 0805 CHIP ZERO OHM				
RL100		237-00010-22	RELAY 12V DPDT 8PIN DIL PCB MTG FUJITS				
SL1		240-04020-57	SKT 10 WAY 1ROW PCB MTG TOP ENTRY				
SW100		230-00010-30	SWITCH TOGGLE SPDT RT ANGLE PCB MT PAR				
T100		053-00010-17	XFMR T4030 LINE MATCH POTCORE				
T200		050-00016-50	COIL TAIT NO 650 455KHZ 5.6MM CAN				
&VC301	10	028-01500-01	CAP TRIM 1.5/5P NPO TOP ADJ BLU MUR				
&VC301	15	028-02200-01	AP TRIM 4/20P N750 TOP ADJ RED MUR				
X301		274-00010-10	XTAL 10.245MHZ SPEC TE/4 C/W TEFLON INS				
&XF301	10	276-00010-36	FLTR XTAL 1PR 10.7MHZ 15KHZ B/W (4				
&XF301	15	276-00010-37	FLTR XTAL 1PR 10.7MHZ 7.5KHZ B/W (4				
&XF302	10	276-00010-20	FLTR XTAL 10.7MHZ 15KHZ B/W 2 POLE				
&XF302	15	276-00010-19	FLTR XTAL 10.7MHZ 7.5KHZ B/W 2 POLE				
&XF303	10	276-00010-14	FLTR CER 455KHZ 15KHZ B/W CFW455E				
&XF303	15	276-00010-13	FLTR CER 455KHZ 9KHZ B/W CFW455G				

T825 Mechanical & Miscellaneous Parts (220-01188-01)

IPN	Description	IPN	Description
012-04150-01	CAP CER F/THRU 1N5 NO LEAD (C1-C15)	349-00020-43	SCREW TAPTITE M4X12MM PAN POZI BZ Top cover x14
051-00006-02	SOLDER SPRING 1.3MM A4M1877	349-00020-45	SCREW TAPTITE M4X20MM PAN POZI BZ Bottom cover x14
062-00010-13	CAN 10MM SQ X 11MM SANWA 613 A4M1017 Fit over coil T200	352-00010-08	NUT M3 COLD FORM HEX ST BZ 'D' plug x2, cover x2, VCO mtg x2
065-00010-13	BEAD FERRITE 7D 1.9*0.9*3.8MM STACK POLE	352-00010-29	NUT M4 NYLOC HEX Handle.
200-00010-05	WIRE T/C 0.5MM	353-00010-10	WASHER M3 FLAT 7MM*0.6MM ST BZ For float plate
201-00030-02	WIRE #1 T/C WIRE 7/0.2MM PVC RED 2x30mm LED.	353-00010-11	WASHER M3 FLAT 9.5MM*0.9MM ST BZ x4 for final carcassing kit
201-00030-10	WIRE #1 T/C WIRE 7/0.2MM PVC BLACK 2x35mm LED.	353-00010-12	WASHER M3 SPRING BZ OR Z/C 'D' plug
220-01188-01	PCB T825 RX	353-00010-13	WASHER M3 SHAKEPROOF INT BZ 'D' hole cover x2, VCO mtg x2
230-00010-31	COVER LEVER FOR TOGGLE SW 230-00010-30	356-00010-03	TAG SOLDER 3MM LONG M614/3.2
240-00010-55	PLUG 15 WAY D RANGE WIRE WRAP PINS PNL MTG	362-00010-23	GASKET SIL INSULATING TO-220 CLIP MTD
240-02010-54	SKT 15WAY DRANGE PNL MTG 125 DEG C Mounted in skt box	362-00010-33	GROMMET LED MTG 3MM LO CURRENT LEDS
240-02100-06	SKT COAX N TYPE PNL MTG OPEN TERMN	365-00011-53	LABEL WHITE RW2365/1 104*37MM SPECIAL ADHSV
240-04020-62	SKT 2 WAY RECEPTL SHORTING LINK	365-00100-20	LABEL WHITE S/A 28X11MM QUIKSTIK RW718/4 use label ref #414
240-04020-65	SKT JACK PIN 1.3MM PCB MTG 64 WAY SIL STRAP	365-01391-01	(L)LABEL BLNK 30*10.8MM TAMPERMARK VOID MATT
303-11168-00	CHASSIS HSINK PNTD COMPLT A1M2364 800 SERIES	365-01500-00	LABEL CE CONFORMITY (12*24MM)
303-23118-00	COVER A3M2247 D RANGE HOLE T855/7	399-00010-51	BAG PLASTIC 75*100MM
303-50074-00	CLIP A3M2246 SPRING XSTR CLAMP T857	400-00020-01	SLEEVING 0.7MM SIL RUBBER
306-01010-00	FERRULE A4M948 HANDLE FXD EQUIP Handle	400-00020-07	SLEEVING 2MM SIL RUBBER
308-01007-00	HANDLE A4M949 FXD EQUIP	410-01081-00	CRTN T800 MODULE KIWI REF22860 PRTD 402X192X6
311-01015-00	KNOB SATO K34 AG 15MM & SKIRT 6MM SHAFT FXD E	410-01082-00	CRTN 10 T800 KIWI REF24417 423X410X360
312-01052-00	LID TOP PNTD COMPL A1M2364 800 SERIES		
312-01053-00	LID BOTTOM PNTD COMPL A1M2364 800 SERIES		
316-06405-02	PNL FRT COMPL T825 A3M2208/3		
316-85015-01	PIN A4M775 LOCATING D RANGE		
316-85099-00	PLATE FLOAT A2M2248 DUAL D RANGE SKT BOX		
316-85100-00	PLATE FRT A2M2249 DUAL D RANGE SKT BOX		
318-01014-00	RAIL A2M2214 FOR 800 SERIES FXD EQUIP		
319-01152-00	SHIELD A3M2250 F/THRU MTG T857		
345-00040-06	SCREW M3*8MM PAN POZI ST BZ		
345-00040-08	SCREW M3*12MM PAN POZI ST BZ D-range hole cover		
345-00040-09	SCREW M3*6MM CSK POZI TRUNCATED HEAD ST BZ Rail mounting - pack with rails		
345-00040-10	SCREW M3*6MM PAN POZI ST BZ Rail x4, float plate x4.		
345-00040-11	SCREW M3X10MM PAN POZI ST BZ x4 for final carcassing kit		
345-00040-20	SCREW M3*8MM BUTTON SKT HD BLACK ZINC PHOS Front panel		
349-00020-32	SCREW TAPTITE M3X8MM PAN POZI BZ PCB mounting x8, 'N' connector x4.		

T825 Grid Reference Index (IPN 220-01188-01)

How To Use This Grid Reference Index

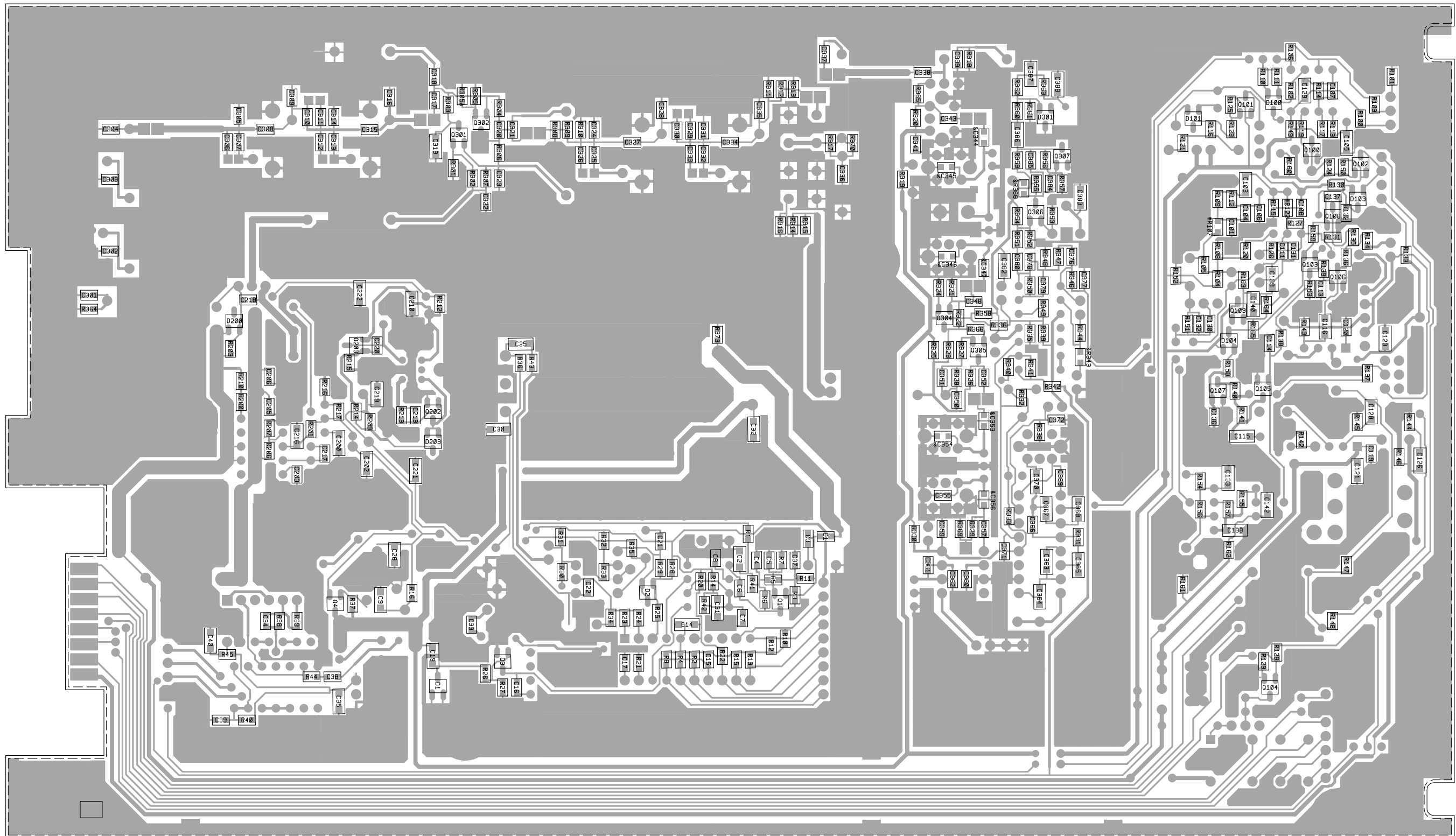
The first digit in the PCB layout reference is a "1" or "2", indicating the top or bottom side layout respectively, and the last two characters give the location of the component on that diagram.

The first digit in the circuit diagram reference is the sheet number, and the last two characters give the location of the component on that sheet.

Device	PCB	Circuit	Device	PCB	Circuit	Device	PCB	Circuit	Device	PCB	Circuit
C1	2:G4	1-B4	C125	1:C4	2-R8	C321	2:K7	4-J7	C381	1:F5	4-L2
C2	2:H3	1-B5	C126	2:B4	2-R7	C322	2:K7	4-J8	C382	2:E6	4-M2
C3	2:G4	1-B4	C127	1:B6	2-P4	C323	2:K7	4-J8	C383	2:E7	4-M0
C4	2:H3	1-B5	C128	2:B5	2-P2	C324	2:J7	4-K7	C384	2:E7	4-N1
C5	2:H3	1-C4	C129	2:C8	2-E3	C325	2:J7	4-K7	C385	2:E7	4-N1
C6	2:H3	1-D4	C130	2:D5	2-B8	C326	2:J7	4-K8	C386	2:E7	4-P2
C7	2:H3	1-D5	C131	2:C6	2-H6	C327	2:J7	4-L7	C387	2:E8	4-Q1
C8	2:H3	1-D4	C132	2:D5	2-B8	C328	2:J7	4-L7	C388	2:E8	4-Q1
C9	2:L3	1-A7	C133	2:C4	2-E1	C329	2:H7	4-L7	D1	2:L2	1-K2
C13	1:H4	1-F4	C134	1:D2	2-R2	C330	2:H7	4-L7			1-K2
C14	2:H3	1-F4	C135	1:D2	2-R2	C331	2:H7	4-M7	D2	2:J3	1-M3
C15	2:H2	1-G2	C136	2:D5	2-M6	C332	2:H7	4-M7			1-L2
C16	2:K2	1-G2	C137	2:C7	2-L2	C333	2:H7	4-M8	D100	2:C7	2-D2
C17	2:J2	1-H2	C138	2:C4	2-C0	C334	2:H7	4-M7			2-D2
C19	2:L3	1-J2	C139	2:C6	2-H9	C335	2:H7	4-N7	D101	2:D7	2-E4
C20	1:K3	1-K4	C140	2:C6	2-J9	C336	2:G7	4-C3			2-E4
C21	2:J4	1-M2	C141	1:C6	2-K8	C337	2:G8	4-D4	D102	1:B7	2-H2
C22	2:J3	1-L4	C142	2:C4	2-B0	C338	2:F8	4-D4	D103	2:B7	2-J2
C23	1:J3	1-L5	C200	2:L4	3-D0	C339	2:F8	4-E3			2-H2
C24	1:J4	1-P1	C201	1:L4	3-F0	C340	1:F7	4-E4	D104	2:C5	2-J4
C25	2:K5	1-M5	C202	2:L4	3-G0	C341	2:F7	4-E4			2-J5
C26	1:L3	1-Q8	C203	2:M4	3-J3	C343	2:F7	4-F4	D105	1:B7	2-K1
C27	1:L3	1-Q7	C204	1:M5	3-L0	&C344	2:F7	4-G4	D106	1:D2	2-L1
C28	2:L3	1-R7	C205	2:M5	3-M0	&C345	2:F7	4-G3	D107	1:C2	2-L0
C30	2:K5	1-R8	C206	2:M5	3-M0	&C346	2:F6	4-J3	D108	1:C2	2-L0
C31	2:H3	1-D5	C207	1:L5	3-N6	&C347	2:F6	4-K4	D200	2:M6	3-K2
C32	2:H5	1-Q5	C210	2:L6	3-G6	C348	2:F6	4-K4			3-K3
C33	2:K3	1-C7	C211	1:L6	3-G6	C349	1:F5	4-K5	D201	1:N4	3-C7
C34	2:M3	1-C7	C212	1:L5	3-L5	C350	2:F5	4-L5	D203	2:L4	3-L7
C35	2:L2	1-E8	C213	2:L5	3-J6	C351	2:F5	4-M3			3-L6
C36	1:L2	1-E8	C214	1:L5	3-H6	C352	2:F5	4-M4	D301	2:E7	4-P1
C37	2:G3	1-B4	C215	1:L6	3-E8	&C353	2:F5	4-M4	INPUT		4-A7
C38	2:L2	1-G7	C216	2:M4	3-H0	&C354	2:F4	4-N3	IC1	1:H3	1-D4
C39	2:M2	1-H9	C217	2:M4	3-J1	C355	2:F4	4-P3	IC2	1:L3	1-B7
C40	2:N3	1-J9	C218	2:M6	3-K2	&C356	2:F4	4-P4	IC3	1:J3	1-F3
C100	1:D6	2-C8	C219	2:L5	3-N6	C357	2:F4	4-Q4	IC4	1:J3	1-P1
C101	2:C6	2-D7	C220	2:L5	3-G6	C358	1:F4	4-B2			1-K5
C102	1:C6	2-D8	C221	2:L4	3-M6	C359	2:F4	4-B2			1-N2
C103	2:C7	2-E7	C222	2:L6	3-F8	C360	2:F3	4-B0	IC5	1:M3	1-J8
C104	2:C6	2-E7	C301	2:P6	4-B7	C361	2:F3	4-C1			1-D7
C105	2:B7	2-D2	C302	2:N6	4-B7	C362	2:F3	4-C1			1-D7
C106	2:C6	2-E7	C303	2:N7	4-C7	C363	2:E3	4-E0			1-E7
C107	2:C8	2-F1	C304	2:N7	4-C7	C364	2:E3	4-E0			1-J8
C108	2:C7	2-R5	C305	2:M7	4-D6	C365	2:E3	4-E1			1-K8
C110	1:C7	2-G5	C306	2:M7	4-D7	C366	2:E4	4-E2			1-L8
C111	2:C6	2-H6	C307	2:M7	4-D7	C367	2:E4	4-F2	IC6	1:M2	1-H8
C112	1:B6	2-J8	C308	2:M7	4-E7	C368	2:E4	4-F1			1-F8
C113	2:C6	2-M2	C309	2:M8	4-E6	C369	2:E4	4-F1			1-F7
C114	2:C5	2-M5	C310	2:M7	4-E7	C370	2:E4	4-G1	IC100	1:C8	2-F3
C115	2:C4	2-N7	C311	2:M7	4-E7	C371	2:E3	4-G0			2-B2
C116	2:C5	2-M3	C312	2:M7	4-F7	C372	2:E5	4-G2			2-E1
C117	1:C5	2-P7	C313	2:L7	4-F7	C373	1:E5	4-H2	IC101	1:C6	2-R5
C118	1:C5	2-N2	C314	2:L7	4-F6	C374	1:E6	4-H1			2-F7
C119	2:B4	2-Q8	C315	2:L7	4-F7	C375	1:E5	4-H1			2-G7
C120	2:B5	2-P4	C316	2:L8	4-G6	C376	2:E6	4-J2	IC102	1:B4	2-P7
C121	2:B4	2-Q8	C317	2:L7	4-G7	C377	2:E6	4-J2	IC103	1:B5	2-N2
C122	1:B4	2-Q7	C318	2:L8	4-H7	C378	2:E6	4-K2	IC104	1:C4	2-E0
C123	2:B5	2-P4	C319	2:L7	4-H7	C379	2:E6	4-K2			2-D0
C124	1:B5	2-P3	C320	2:K7	4-H7	C380	2:E6	4-L1			2-B0

Device	PCB	Circuit	Device	PCB	Circuit	Device	PCB	Circuit	Device	PCB	Circuit
IC201	1:M4	3-H3	Q104	2:C2	2-K0	R113	2:C7	2-E2	R306	2:K7	4-J8
		3-H1	Q105	2:C5	2-N6	R114	2:C8	2-F1	R307	2:K7	4-H8
		3-R0	Q106	2:B6	2-M2	R115	2:C7	2-G6	R308	2:J7	4-J7
IC202	1:M5	3-E1	Q107	2:D5	2-M6	R116	2:D7	2-F4	R309	2:J7	4-K7
IC301	1:G7	4-B4	Q108	2:C6	2-L2	R117	2:C7	2-F2	R310	2:J7	4-K7
IC302	1:F3	4-B0	Q109	2:C6	2-J9	R119	2:C7	2-F2	R311	2:H8	4-N7
IC303	1:E3	4-E0	Q200	1:M4	3-K1	R120	2:C6	2-F8	R312	2:G8	4-N7
IC304	1:E5	4-L2	Q201	1:M6	3-L2	R121	2:D7	2-F5	R313	2:G8	4-P7
		4-H0	Q202	2:L5	3-K6	#R122	2:C7	2-G7	R314	2:G6	4-B5
		4-H2	Q203	2:L5	3-H7	R123	2:C7	2-G4	R315	2:G6	4-B5
		4-K2	Q301	2:K7	4-H8	R124	2:C7	2-G3	R316	2:G6	4-B5
		4-K0	Q302	2:K7	4-H7	R125	2:C7	2-G5	R317	2:G7	4-C4
L1	1:G3	1-B4	Q303	1:F8	4-E4	R126	2:C6	2-H7	R318	2:F8	4-E3
L100	1:D2	2-K2	Q304	2:F6	4-L4	R127	2:C6	2-H7	R319	2:F7	4-E5
L301	1:N6	4-B7	Q305	2:F5	4-M4	R128	2:C3	2-H1	R320	2:F7	4-F4
L302	1:N7	4-C7	Q306	2:E6	4-M1	R129	2:C2	2-H0	R321	2:F6	4-K3
L303	1:N7	4-C7	Q307	2:E7	4-N1	R130	2:B7	2-J4	R322	2:F6	4-L4
L304	1:M7	4-E7	R1	2:H4	1-B5	R131	2:C6	2-J7	R323	2:F5	4-L5
L305	1:L7	4-F7	R2	2:H2	1-B1	R132	2:B6	2-J2	R324	2:F6	4-L3
L306	1:L8	4-H6	R3	2:G3	1-B4	R133	2:B6	2-K1	R325	2:F5	4-M5
L307	1:J7	4-H8	R4	2:H2	1-B1	R134	2:B6	2-K3	R326	2:F5	4-M5
L308	1:L6	4-H9	R5	2:H3	1-C5	R135	2:B6	2-L3	R327	2:F5	4-M4
L309	1:J7	4-L7	R6	2:H3	1-C5	R136	2:B6	2-M3	R328	2:F5	4-M3
L310	1:H7	4-N7	R7	2:G3	1-C4	R137	2:B5	2-M7	R329	2:F4	4-Q4
L311	1:G6	4-C3	R8	2:H2	1-C1	R138	2:C5	2-M4	R330	2:F4	4-B2
L312	1:G8	4-C4	R10	2:G3	1-C1	R139	2:C6	2-M3	R331	2:E4	4-E2
L313	1:E8	4-E4	R11	2:G3	1-C4	R140	2:C5	2-M7	R332	2:E5	4-G0
L314	1:F7	4-E4	R12	2:H3	1-D1	R141	2:C5	2-N7	R333	2:E4	4-G0
L315	1:F7	4-G3	R13	2:H2	1-D1	R142	2:C4	2-N7	R334	1:E4	4-G0
L316	1:F6	4-J3	R14	2:H3	1-D6	R143	2:C5	2-N3	R335	2:E5	4-G1
L317	1:F4	4-N3	R15	2:H2	1-D1	R144	2:B5	2-R6	R336	2:E5	4-G1
L318	1:F4	4-P3	R16	2:L3	1-B8	R145	2:B5	2-P2	R338	2:E5	4-G2
L319	1:E4	4-G1	R20	2:H3	1-G5	R146	2:B4	2-R7	R339	2:E5	4-H2
PAD100	1:D7	2-A4	R21	2:J2	1-H2	R147	2:B3	2-Q3	R340	2:E5	4-H0
PAD101	1:C7	2-A3	R22	2:H3	1-H4	R148	2:C3	2-Q3	R341	2:E5	4-H0
PAD103	1:C2	2-L0	R23	2:J3	1-J3	R149	2:C7	2-F3	R342	2:E5	4-J0
PAD104	1:D2	2-R1	R24	2:J3	1-J3	R150	2:B7	2-G3	&R343	2:E5	4-H1
PAD105	1:D3	2-R0	R25	2:J3	1-K3	R151	2:D5	2-B8	R344	2:E5	4-H2
PAD106	1:C2	2-P0	R26	2:K2	1-J2	R152	2:D6	2-B7	R345	1:E6	4-J2
PAD107	1:C2	2-P0	R27	2:K2	1-J1	R153	2:C6	2-J3	R346	2:E6	4-J2
PAD108	1:C2	2-Q1	R28	2:H3	1-L3	R154	2:D4	2-C1	R347	2:E6	4-J2
PAD109	1:C2	2-Q0	R29	2:J3	1-M3	R155	2:C4	2-C1	R348	2:E6	4-K2
PAD110	1:D2	2-A9	R30	2:J3	1-J4	R156	2:D4	2-C0	R349	2:E6	4-K1
PAD111	1:D5	2-A8	R31	2:J4	1-K6	R157	2:C4	2-C1	R350	2:E6	4-K2
PAD112	1:C2	2-A5	R32	2:J4	1-M3	R158	2:C5	2-L6	R351	2:E6	4-L1
PAD113	1:D7	2-A4	R33	2:J3	1-M2	R159	2:C6	2-L3	R352	2:E6	4-M1
PAD114	1:D8	2-A1	R34	2:J3	1-L5	R160	2:C7	2-G2	R353	2:E6	4-M1
PAD115	1:D3	2-A1	R35	2:J3	1-P2	R161	2:D3	2-A0	R354	2:E6	4-M1
PAD116	1:C7	2-G2	R36	2:K5	1-M5	R162	2:C3	2-A1	R355	2:E7	4-M1
PAD117	1:B3	2-Q3	R37	2:L3	1-Q8	R163	2:C6	2-G9	R356	2:E7	4-N1
PAD118	1:D2	2-A8	R38	2:M3	1-C7	R164	2:C6	2-J8	R357	2:E7	4-N1
PAD119	1:C6	2-H9	R39	2:M3	1-D7	R165	2:C5	2-J8	R358	2:F6	4-N2
PAD120	1:B3	2-L8	R40	2:M2	1-E9	R200	2:M5	3-D1	R359	2:E7	4-N2
PAD121	1:D3	2-A5	R41	2:H3	1-B5	R201	2:M5	3-G1	R360	2:E7	4-P2
PAD122	1:C1	2-K9	R42	2:H3	1-D5	R203	2:M5	3-K3	R361	2:E7	4-P1
PAD123	1:L4	3-G2	R43	2:K5	1-M5	R204	1:N6	3-K2	R362	2:E8	4-Q2
PAD124	1:L4	3-N7	R44	2:M2	1-G7	R205	1:N5	3-K3	R363	2:E8	4-Q2
PAD125	1:C7	2-G2	R45	2:M3	1-J9	R206	2:M4	3-L1	R364	2:P6	4-A7
PAD126	1:J3	1-P3	RV100	1:B7	2-A2	R207	2:M5	3-L0	R365	2:F8	4-E4
PAD127	1:E3	4-D1	R100	2:B7	2-A3	R208	1:N5	3-L3	R366	2:F5	4-L4
PL5	1:K3		RV101	1:D7	2-F5	R209	2:L5	3-M7	R367	1:E7	4-M2
PL100	1:C7		R101	2:B8	2-A2	R210	2:M5	3-D2	&R368	2:E7	4-M1
PL101	1:C6		R102	2:C8	2-B1	R212	2:L6	3-G8	R369	2:F4	4-Q3
PL102	1:C2		RV102	1:B6	2-K3	R213	2:L5	3-J6	R370	2:G7	4-C4
PL103	1:D6		RV103	1:B5	2-M7	R214	2:L5	3-J5	R373	2:H5	1-A4
PL104	1:C8		R103	2:B7	2-B2	R215	2:L5	3-H5	RL100	1:D2	2-K1
PL105	1:B6		RV104	1:D3	2-C0	R216	2:M5	3-E0			2-N1
PL106	1:B2		R104	2:D6	2-C9	R217	2:L5	3-F1			2-N0
PL200	1:P3		R105	2:D6	2-C8	R301	2:K7	4-G8	SJ1	1:H5	
Q1	2:G3	1-C4	R106	2:C8	2-C2	RV301	1:E6	4-M1	SJ2	1:H5	
Q3	2:K2	1-J2	#R107	2:D6	2-D8	R302	2:K7	4-G8	SJ3-1	1:K5	
Q4	2:L3	1-Q9	R108	2:D6	2-D8	R303	2:K7	4-H7	SJ3-2	1:K5	
Q100	2:C7	2-G2	R109	2:D7	2-D8	RV303	1:E5	4-G0	SJ3-3	1:K5	
Q101	2:C7	2-H4	R110	2:C8	2-D2	R304	2:K7	4-H7	SJ3-4	1:K5	
Q102	2:B7	2-H2	R111	2:C8	2-D2	R305	2:K8	4-H7	SJ3-5	1:K5	
Q103	2:C6	2-J4	R112	2:C7	2-E8	R305A	2:K8	4-J7	SJ4-1	1:G5	

<u>Device</u>	<u>PCB</u>	<u>Circuit</u>	<u>Device</u>	<u>PCB</u>	<u>Circuit</u>	<u>Device</u>	<u>PCB</u>	<u>Circuit</u>	<u>Device</u>	<u>PCB</u>	<u>Circuit</u>
SJ4-2	1:G5										
SJ4-3	1:G5										
SJ4-4	1:G5										
SJ4-5	1:G5										
SK1	1:G3										
SW100	1:B4	2-A6									
T100	1:C3	2-Q2									
T200	1:L5	3-K7									
&VC301	1:F6	4-H3									
X301	1:F3	4-C1									
&XF301A	1:F7	4-H4									
&XF301B	1:F6	4-H4									
&XF302	1:F4	4-N4									
&XF303	1:E3	4-D0									
10.71F		4-Q3									



P N M L K J H G F E D C B A

8

7

6

5

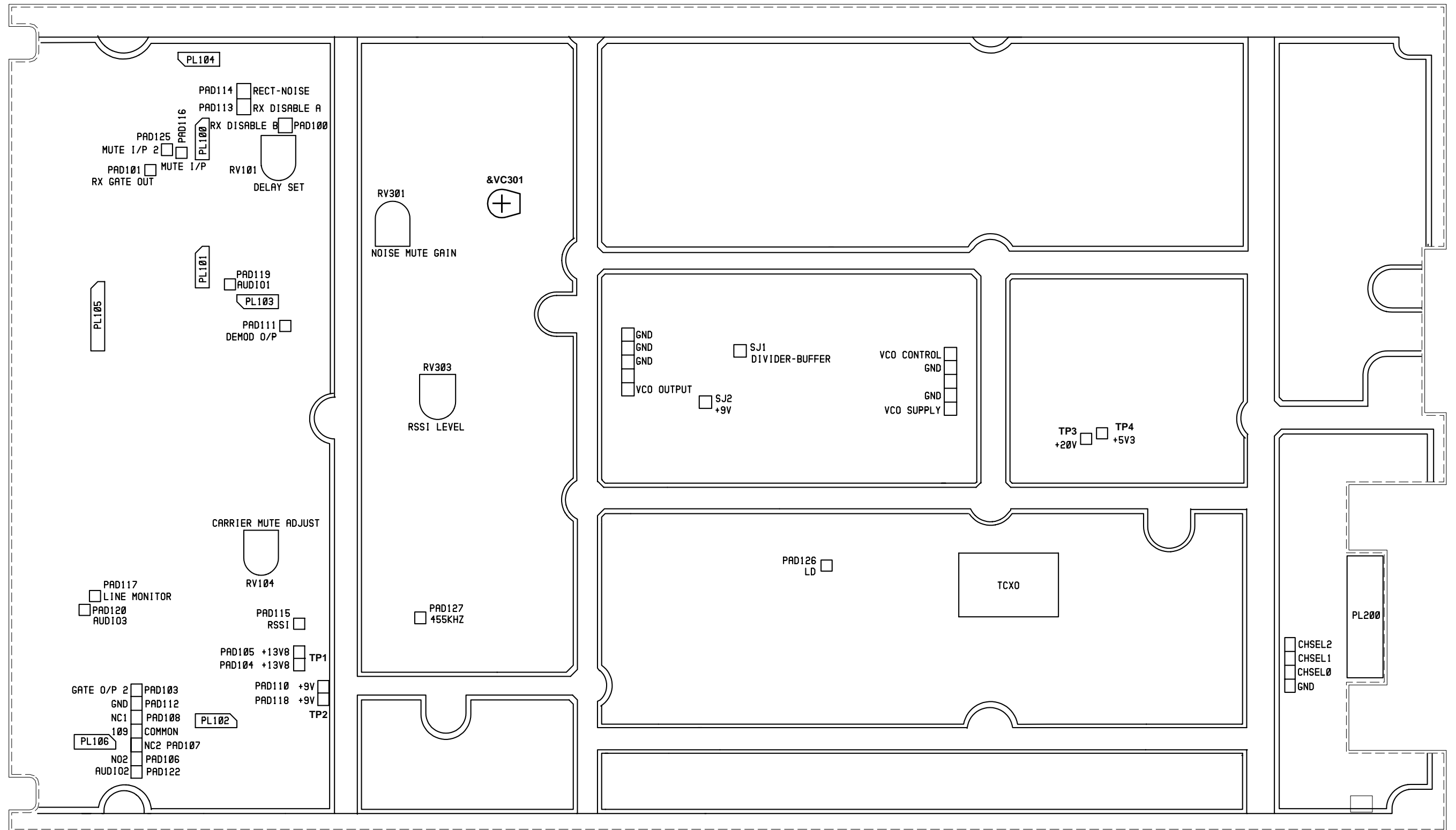
4

3

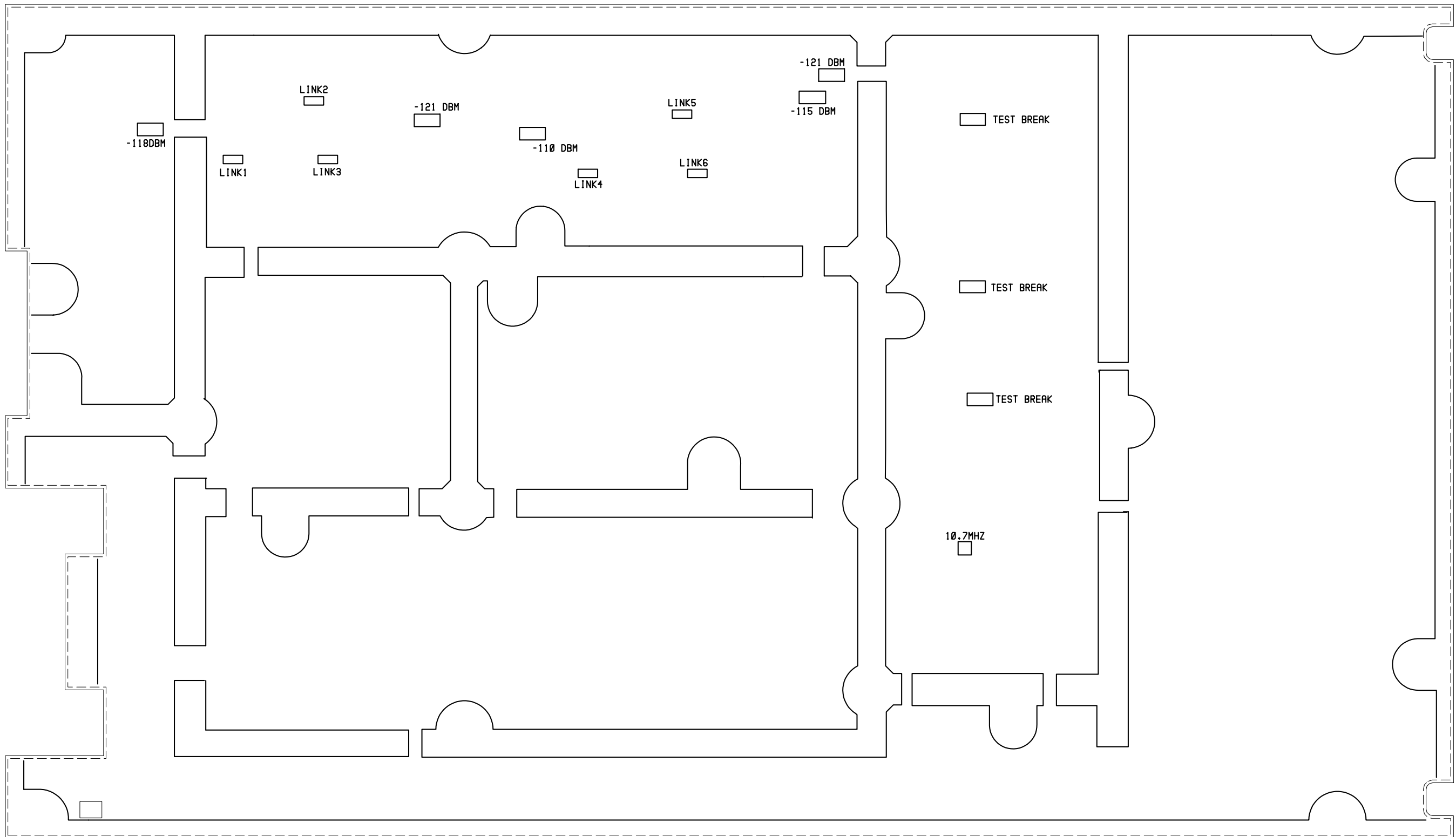
2

1

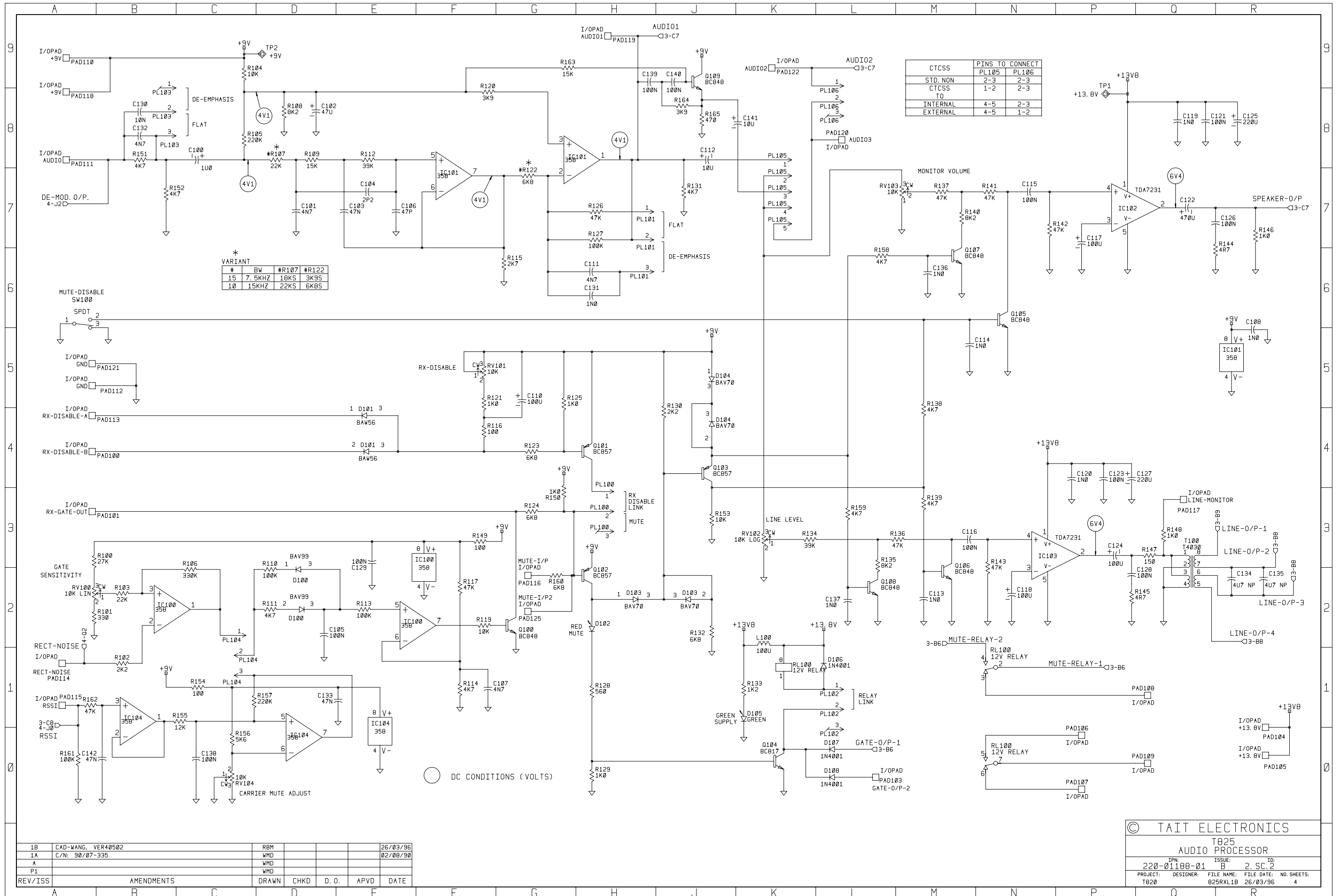
220-01188-01 E **T825 PCB Layout**
Bottom Side
220-01188-01



T825 Test Points & Options
Top Side
220-01188-01

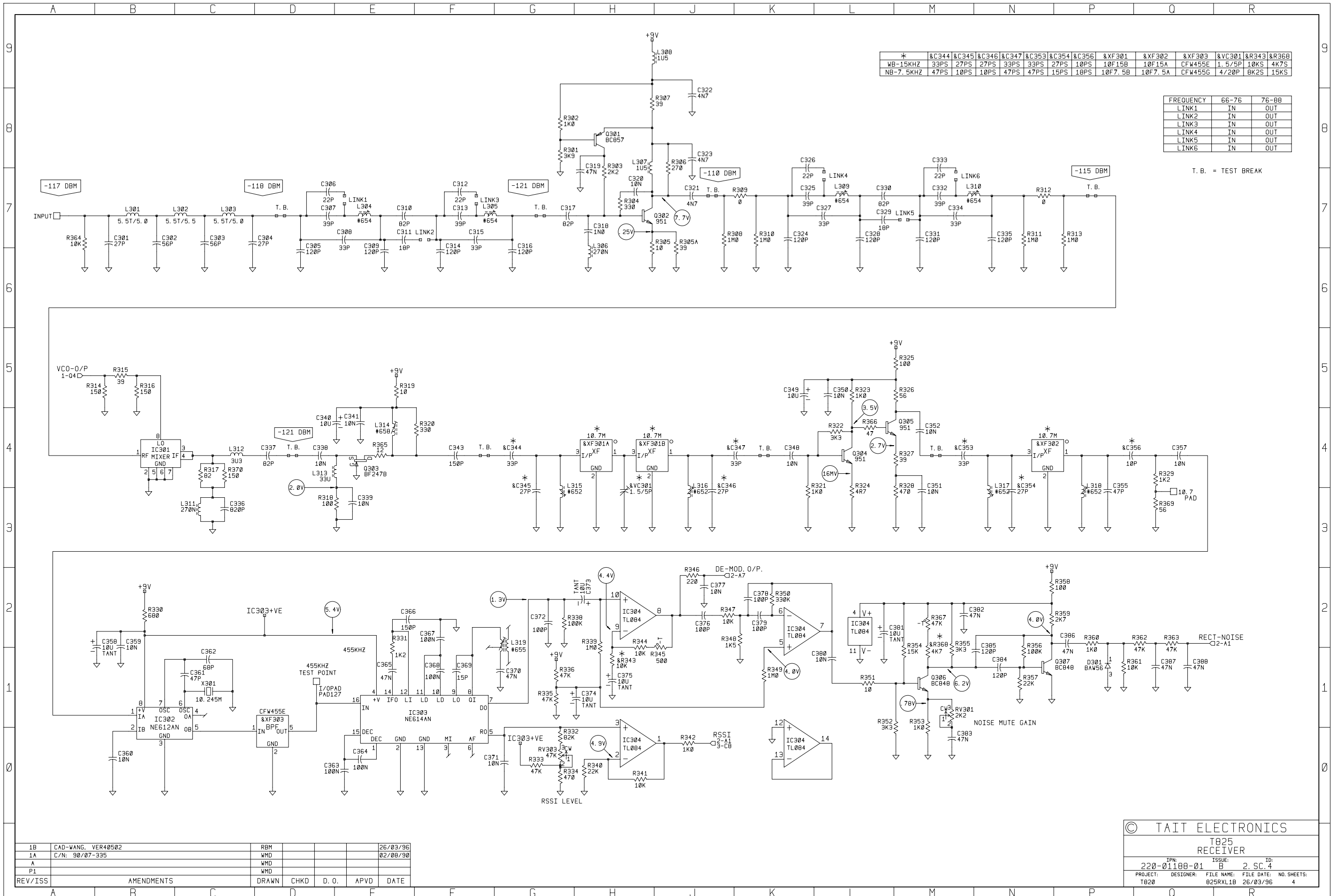


*T825 Test Points & Options
Bottom Side
220-01188-01*



1B	CAD-WANG, VER40502	RBM			26/03/96
1A	C/N: 90/07-335	WMD			02/08/90
A		WMD			
P1		WMD			
REV/ISS	AMENDMENTS	DRAWN	CHKD	D. O.	APVD DATE

© TAIT ELECTRONICS			
T825 AUDIO PROCESSOR			
IPN:	220-01188-01	ISSUE:	2 SC.2
PROJECT:	T820	DESIGNER:	FILE NAME: 825RXL1B
		FILE DATE:	26/03/96
		NO. SHEETS:	4



*	&C344	&C345	&C346	&C347	&C353	&C354	&C356	&XF301	&XF302	&XF303	&VC301	&R343	&R368
WB-15KHZ	33PS	27PS	27PS	33PS	33PS	27PS	10PS	10F15B	10F15A	CFW455E	1.5/5P	10KS	4K7S
NB-7.5KHZ	47PS	10PS	10PS	47PS	47PS	15PS	10PS	10F7.5B	10F7.5A	CFW455G	4/20P	8K2S	15KS

FREQUENCY	66-76	76-88
LINK1	IN	OUT
LINK2	IN	OUT
LINK3	IN	OUT
LINK4	IN	OUT
LINK5	IN	OUT
LINK6	IN	OUT

T. B. = TEST BREAK

1B	CAD-WANG. VER40502	RBM			26/03/96
1A	C/N: 90/07-335	WMD			02/08/90
A		WMD			
P1		WMD			
REV/ISS	AMENDMENTS	DRAWN	CHKD	D. O.	APVD DATE

© TAIT ELECTRONICS
 T825 RECEIVER
 IPN: 220-01188-01 ISSUE: B 2 SC 4
 PROJECT: T820 DESIGNER: 825RXL1B FILE NAME: FILE DATE: NO SHEETS: 26/03/96 4